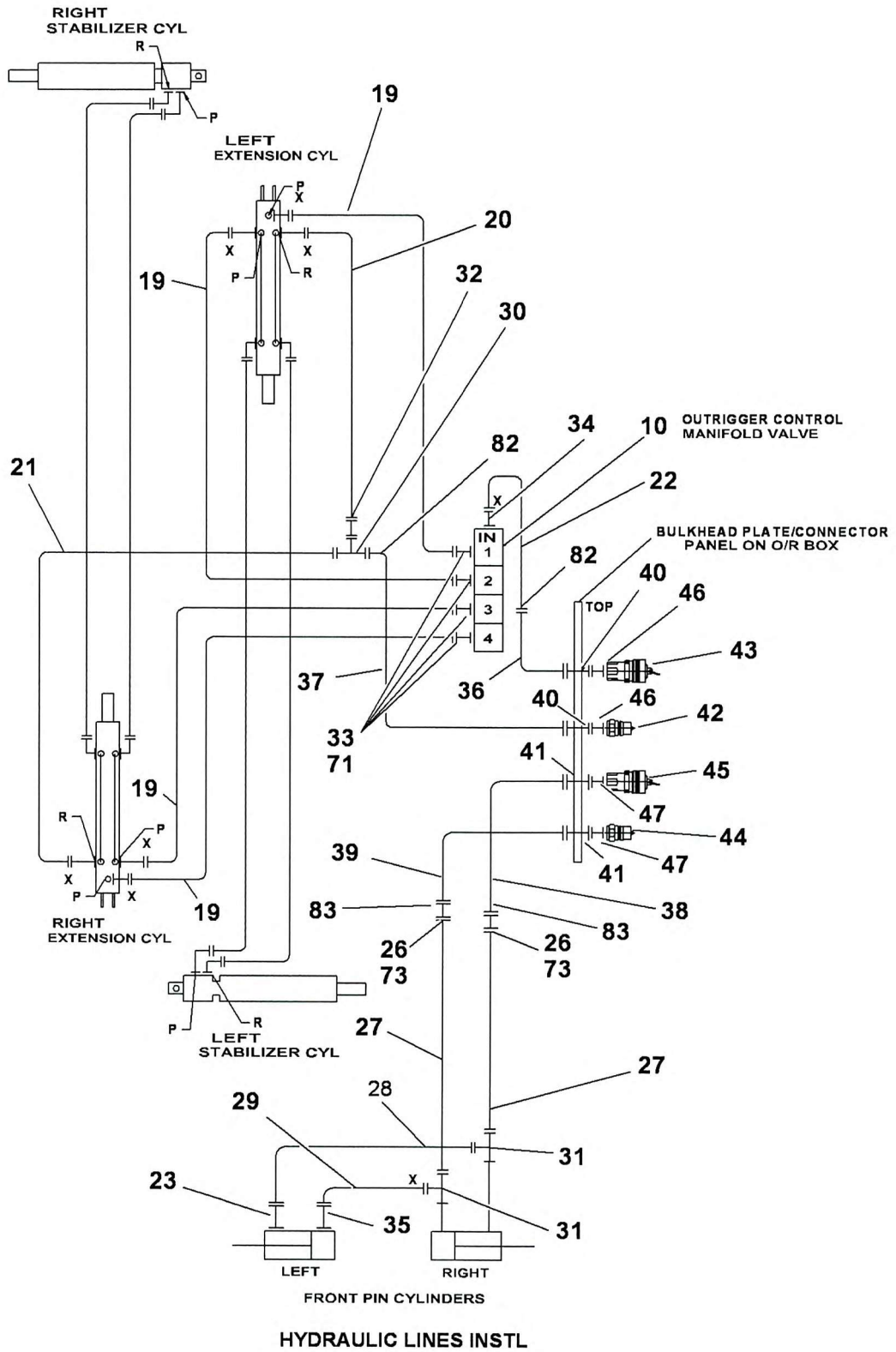


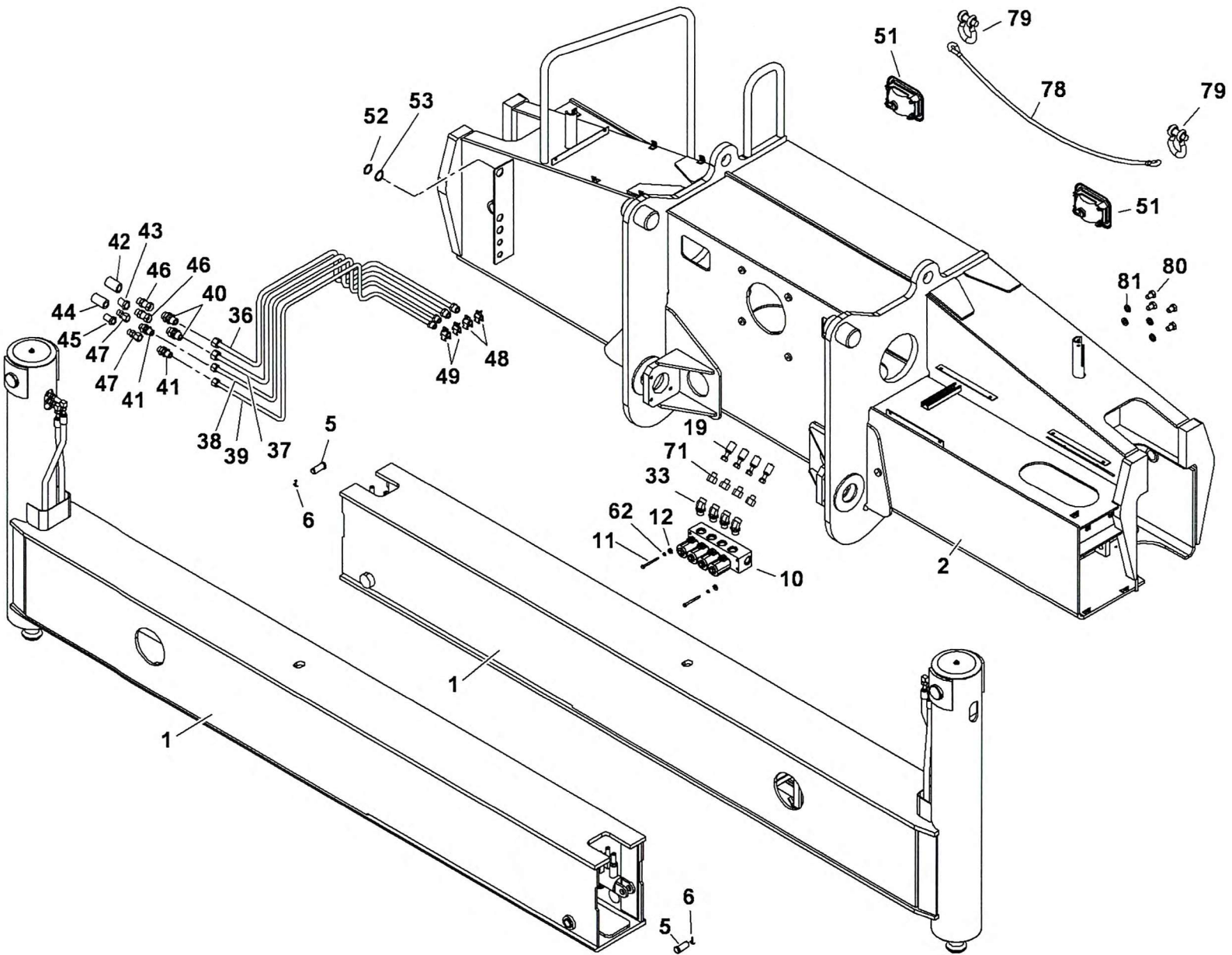
Manitowoc Cranes



80045914

(SHEET 3 OF 3)

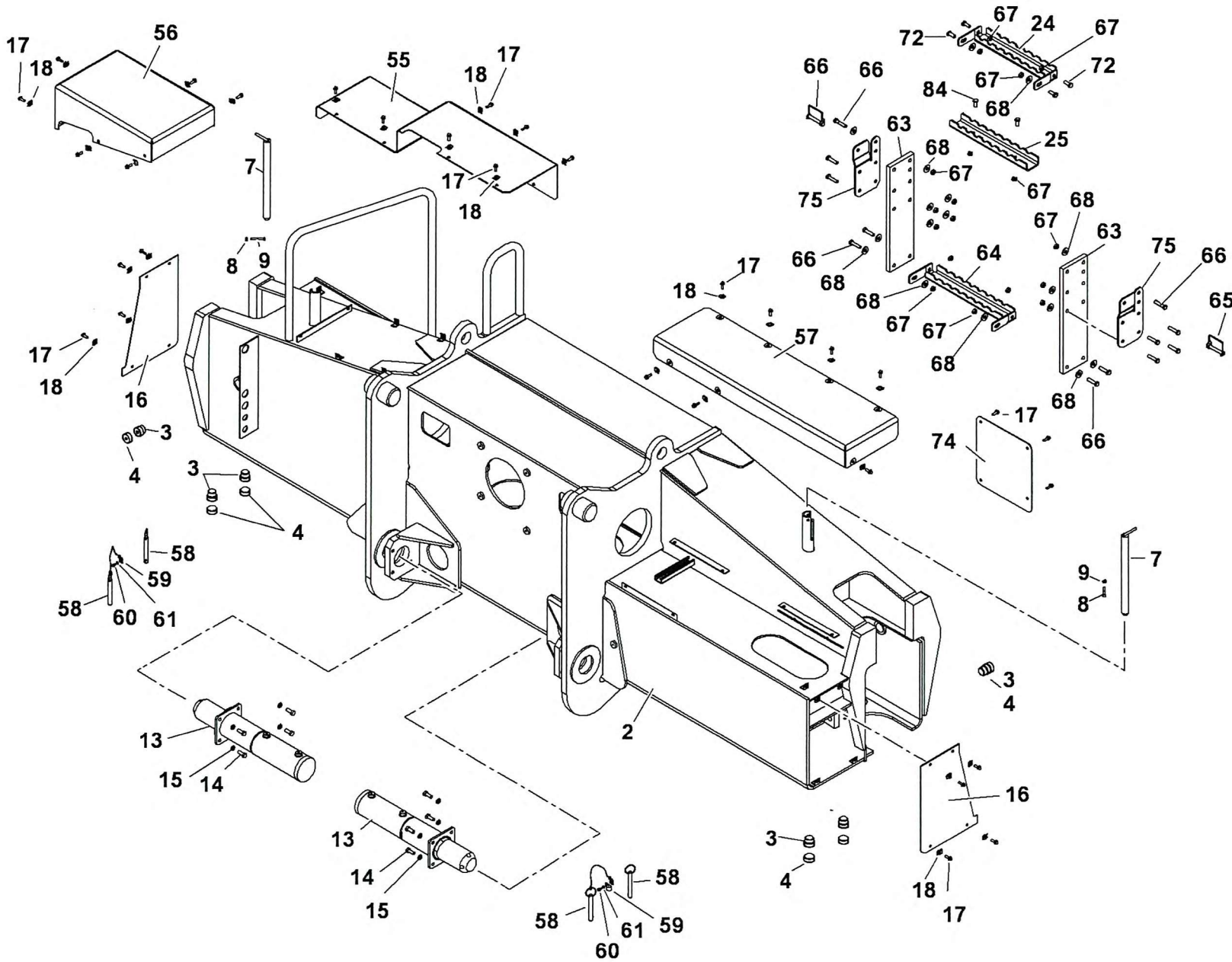
Page 570



(SHEET 2 OF 3)

Page 571

80045914



80045914

(SHEET 1 OF 3)

Page 572